

**三机一体(节能型
三机一体)
3 in 1 Compact
Dehumidifying Dryers**

TDA

● **特点 Features**

- 集除湿、干燥、二段送料三种功能于一体，并可选择三段送料功能。
- 稳定供应-40露点的除湿空气大幅度提高产品品质。
- 耗电低、功效高。(每小时耗电量0.6度，传统型耗电2.5度)
- 双层保温干燥料桶采用下吹式风管设计，防止热能流失，提高干燥效率。
- 全不锈钢上、下送料系统，避免原料污染。
- 封闭式循环除湿气及送料系统，可避免干燥后的原料因接触外界空气而再度回潮。
- 采用无触点固态继电器控制加热。(选配)。
- 故障智能警报，时间智能预约。
- 光学级除粉式三机一体专用于无尘或净化车间。
- 多重保护装置。
- 采用国外高级进口零组件，提高性能及延长使用寿命，节省维修成本。
- 外型粉体烤漆，美观大方。
- 结构简单紧凑，机器占地小·节省空间，移动方便·可任意更换机台使用。
- 设计人性化方便保养维修。

- To integrate the function of dehumidifying , drying and two-stage conveying into single unit. Three- stage conveying function is optional.
- To improve the quality of finished products greatly thanks to supply stable dehumidified at - 40 dew-point.
- Low power consumption , high efficiency (power consumption for energy saving type with reading 0.6 kW.h while conventional type with reading 2.5 kW.h)
- Double- wall insulated hopper dryers features down-blowing pipe design to avoid heat dispersion for improving drying efficiency.
- Feeding system is made of stainless steel to eliminate material contamination.
- Closed-loop circulation for dehumidified air & feeding system to avoid the possibility of moisture regain for absorbing outside air during material conveying.
- To adopt electromagnetic contactless relay control heating. (option)
- Intelligent microprocessor control for faulty alarm & pre-heating setting.
- Optical - class powder- removing models are suitable for clean workshop.
- Multiple safety protection device.
- Using imported superb parts which enhance function and extend service life for saving maintenance cost.
- Powder coated frame of machine with exquisite appearance.
- Compact construction; small footprint to save space ; move conveniently for any machines use.
- Optimum design for easy maintenance.



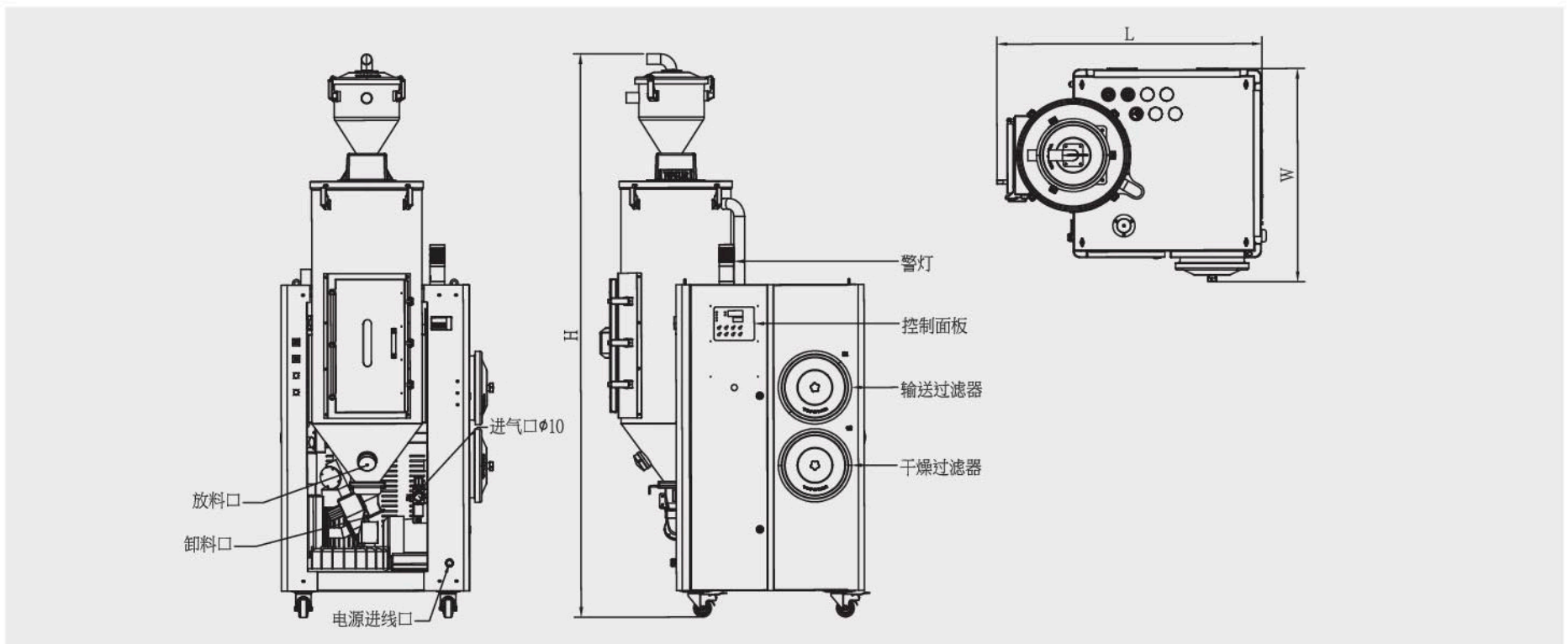
节能型三机一体的设计系统更为简化，不仅减少系统之耗电量，功效高，超节能省电高达60%，且体积小，不占空间，特别适用于无尘车间。不需接冷却水，故移动方便。构造简单，机器信赖度高。全机采用微电脑控制，操作简单，性能稳定，能耗更低，干燥风量30~200 m3/hr。此外也针对光学级产品之生产制造而设计光学级节能型三机一体除湿干燥机，以满足客户不同之需。

The energy saving type simplifies the design of system which reduces power consumption, high efficiency, ultra energy saving up to 60%. The design of machine appearance is compact to save space, ideal to high demands on limited space of clean workshop. It can move everywhere conveniently thanks to no requirement of cooling water for machines. The mechanical construction is simple to enhance machine reliable. The series design particularly for optic products. It adapts PLC controller with the superior features on easy operation, stable function, low power consumption. The drying air flow ranges from 30~200 m3/hr. In addition, we design optic class 3 in 1 compact heatless dehumidifying dryers (energy saving type) for optic products to satisfy with customers' various demands.

● **选择加装配件 Options**

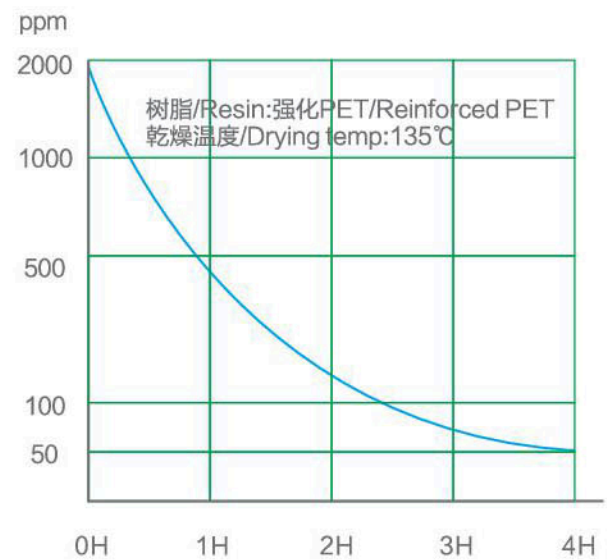
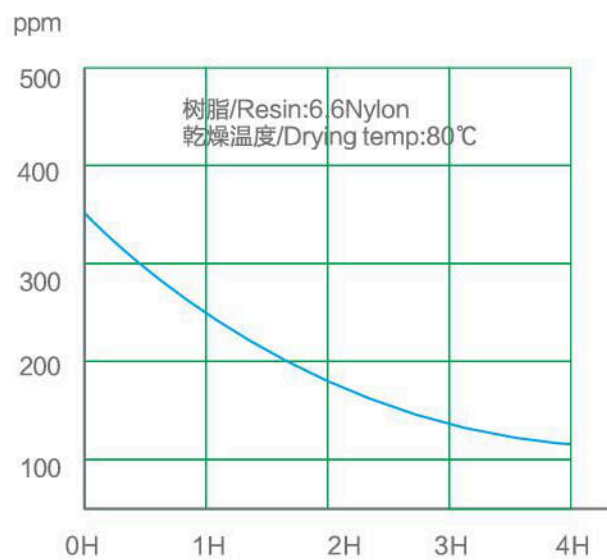
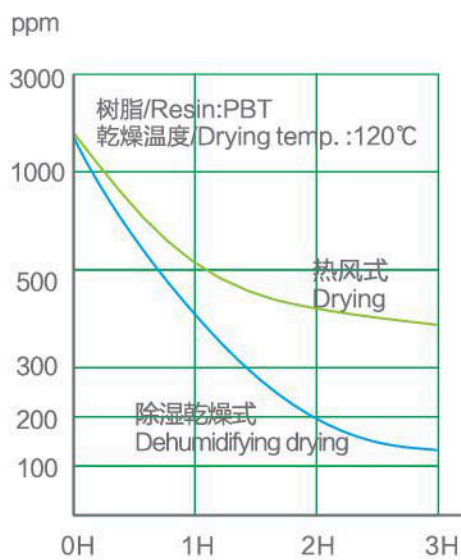


旋风分离器图
Cyclone Separator



机型	TDA-25A	TDA-50A	TDA-75A	TDA-100A	TDA-150A	TDA-200A	TDA-300A
L (mm)	870	953	1158	1158	1450	1450	1481
W (mm)	770	766.5	836	836	942	942	951
H (mm)	1795	2018	1992	2253	2365	2727	2800

● 工程塑料干燥曲线图 Engineering Plastic Drying Curve Chart

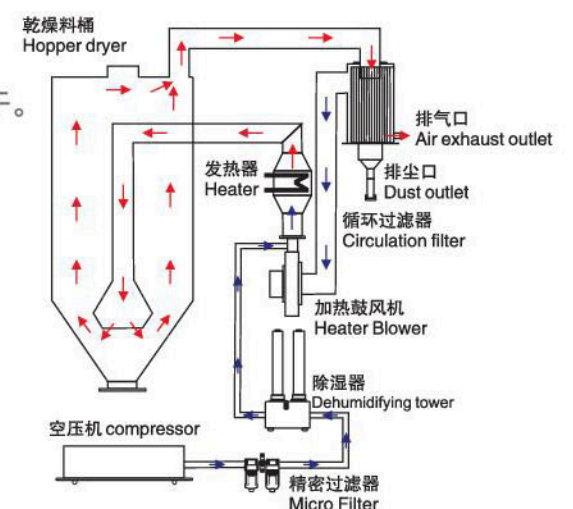


● 干燥流程

- ◆在变缸除湿塔内急速降压的同时,就能获得-40的露点除湿气。
- ◆除水除油筛检程式将车间送来的压缩空气中的水份及油份过滤清洁,再送到除湿塔。
- ◆把-40露点除湿气(单向输送)不停的送到密封式真空除湿料桶,将料桶内所有原材料的湿气吸干。
- ◆该系统是单向送气,无须使用再生除湿气。

● Drying Procedure

- ◆ Low dew point - 40 of dehumidified air will be obtained simultaneously by reducing pressure rapidly in the dehumidifying tower.
- ◆ Excessive oil and water content from compressed air supply of workshop will be filtered before sending to dehumidifying tower.
- ◆ -40 dew point of dehumidified air will be continuously delivered to close hopper dryer until moisture expelled to dried.
- ◆ Air was delivered in one way direction under the system which no.



● 规格表 Specification Sheet

产品型号 Model		TDA-25A	TDA-50A	TDA-75A	TDA-100A	TDA-150A	TDA-200A	TDA-300A	
料桶容量 Hopper Capacity	KG	25	50	75	100	150	200	300	
干燥电热功率 Drying Heater Capacity	KW	2	2	3	3	4	9	15	
干燥风机功率 Drying Blower Capacity	KW	0.25	0.37	0.75	0.75	1.5	2.2	2.2	
输送风机功率 Conveying Blower Capacity	KW	1.1	1.1	1.1	1.1	2.2	2.2	1.5	
处理风量 Air Capacity	L/min	30	50	80	80	110	150	305	
系统电源 Power Supply	V	380VAC 3P/PE 50Hz							
控制电源 Control Voltage	V	220VAC 1P/PE 50Hz							
总功率 Total Power	KW	3.35	3.5	4.85	4.85	7.6	10.4	19	
电源线规格 Wires Specifications	mm ²	4 × 2.5			4 × 4		4 × 6	4 × 10	
电源线长度 Wires Length	M	5							
外观尺寸 Dimensions	L(m)	0.87	0.95	1.16	1.16	1.45	1.45	1.69	
	W(m)	0.77	0.77	0.84	0.84	0.94	0.94	1.036	
	H(m)	1.8	2.02	2	2.25	2.36	2.73	2.85	
露点 Dew point	℃	-40℃以下 Below -40							
料管口径 Material Pipe Size	inch	1.5							
料斗(成型机上) Hopper Receiver		SR-3E				SR-6E			
机器重量 Weight	KG	160	182	205	217	316	332	400	
选配 Option		1.露点显示 Dew-point Indicators 2.旋风分离器 Cyclone Separator							

注：产品规格若有变更，恕不另行通知 We reserve right to change specifications without prior notice.

● 干燥能力 Drying Capacities

原料 Material	干燥温度 Drying Temperature(℃)	干燥时间 Drying Tim (hr)	干燥能力/Drying Capacities(kg/hr)						
			TDA-25A	TDA-50A	TDA-75A	TDA-100A	TDA-150A	TDA-200A	TDA-300A
ABS	80	3-4	5	10	18	25	38	50	76
POM	100	2	13	25	30	50	75	100	150
PMMA	80	2-3	12.5	17	22.5	35	46.5	58.5	100
LONOMER	90	4-5	5	10.5	12.5	20	25	36.5	60
Pa6	75	4-6	4.5	9	10	17	25	34	50
Pa6.6	75	4-6	4.5	9	10	17	25	34	50
Pa6.10	75	4-6	4.5	9	11	17	25	34	50
PC	120	3-4	7.5	13	16.5	25	38	50	76
PU	90	2-3	12.5	17	22.5	35	46.5	58.5	100
PBT	130	3-4	8	13	17	24	36	48	72
PE	90	1	25	50	70	100	150	200	300
PET	160	4-6	7	9	12	17	25	34	50
PETG	70	3-4	7.5	13	16.5	25	38	50	72
PPO	110	2	15	25	37.5	50	75	100	150
PP	90	1	25	50	70	100	150	200	300
PD(GP)	80	1	25	50	70	100	150	200	300
PSU	120	3-4	7	13	17	27	36	50	72
PVC	70	1	25	50	70	100	150	200	300
SAN(AS)	80	2	15	25	37.5	50	75	100	150

注：产品规格若有变更，恕不另行通知。 We reserve right to change specifications without prior notice.