

## 氮气三机一体 Nitrogen Dryer Series

TDN

### ● 特点 Features

- 高浓度氮气充满原材料，98%以上，成型合格率提高。
- 美国原装氮气发生器。
- 减少成型时产品黄变，提高产品合格率。
- 原料为全封闭结构，不受外界环境影响。
- 干燥筒在注塑机上方(25kg以下)。
- 延长成型机螺杆碳化时间，减少设备的维护成本。
- 利用日本制压缩空气无热再生原理提供脱湿空气。
- 设备为光学级除粉式，日本制高效过滤器，0.3μm X99.99%。
- 封闭循环式氮气输送。
- 超低能耗。
- 多重保护装置。
- 也可去除氮气装置，作为小型除湿干燥机使用(选购项)。

- Be full of high concentration nitrogen, above 98%, improve the qualified of molding.
- American original nitrogen generator.
- Reduce product yellowing during molding, improve the qualified of product.
- Material in whole sealing, not suffer from external environment.
- Dryer hopper installed above injection machine(below 25kg)
- Delaying carbonization time of make-up machine screw, reduce maintenance cost of machine.
- Apply dehumidifying air with compression air heatless regeneration principle from Japan.
- The equipment clean the powder optically.
- Delivery nitrogen in close system.
- Ultralow energy consumption.
- Multiple protect equipment.
- Also it can wipe off nitrogen equipment, use it as dehumidification dryer(option).

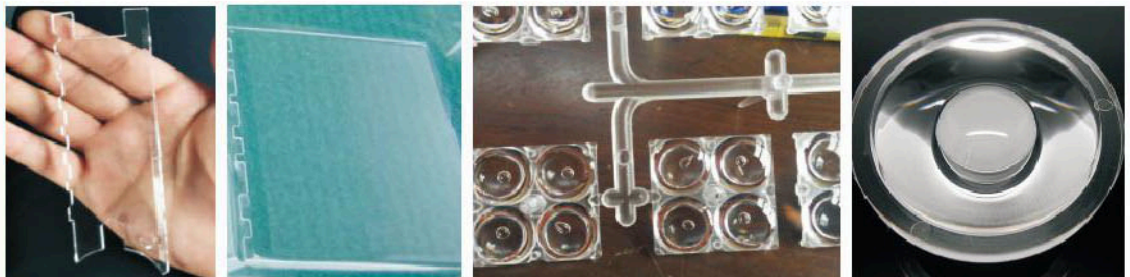


洁净环境下生产光学镜头及导光板等原材料的干燥设备。常用于PC、PMMA、COP、COC、PA46、OKP、PPS、PEI (ULTEM)。

Drying equipment that produce lianr and Light Guide Plate in clean environment. Usual be usedfor PC,PMMA,COP,COC,PA46,OKP,PPS,PEI (ULTEM).

### ● 产品展示(可以使用氮气三机一体)

Product exhibit( can use nitrogen dryer series)



导光板1.5mm厚  
LGP 1.5 mm thick

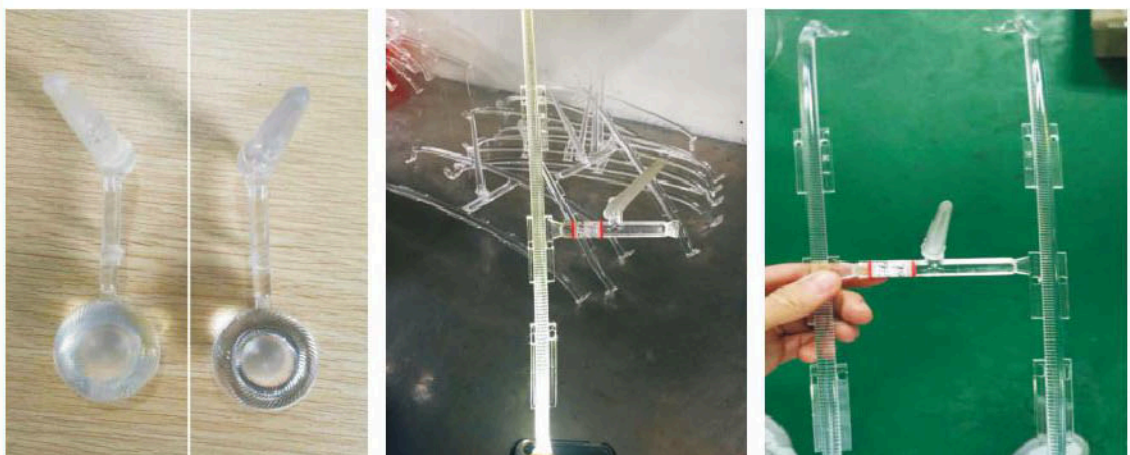
导光板0.2mm厚  
LGP 0.2 mm thick

手机镜头透镜  
Phone camera Lens

手机镜头透镜(显微镜下检验)  
Phone camera Lens (use microscope test)

### ● 产品展示(使用氮气三机一体对比)

Product exhibit( compare with nitrogen dryer series)



LED透镜COC  
(普通三机一体)黄变  
LED lens COC (general  
3 in 1 machine) yellowing

LED透镜COC  
(TDN-10)合格  
LED lens COC (TDN-10)  
qualified

导光条PMMA  
(普通三机一体)黄变  
LGP PMMA (general 3 in 1 machine) yellowing

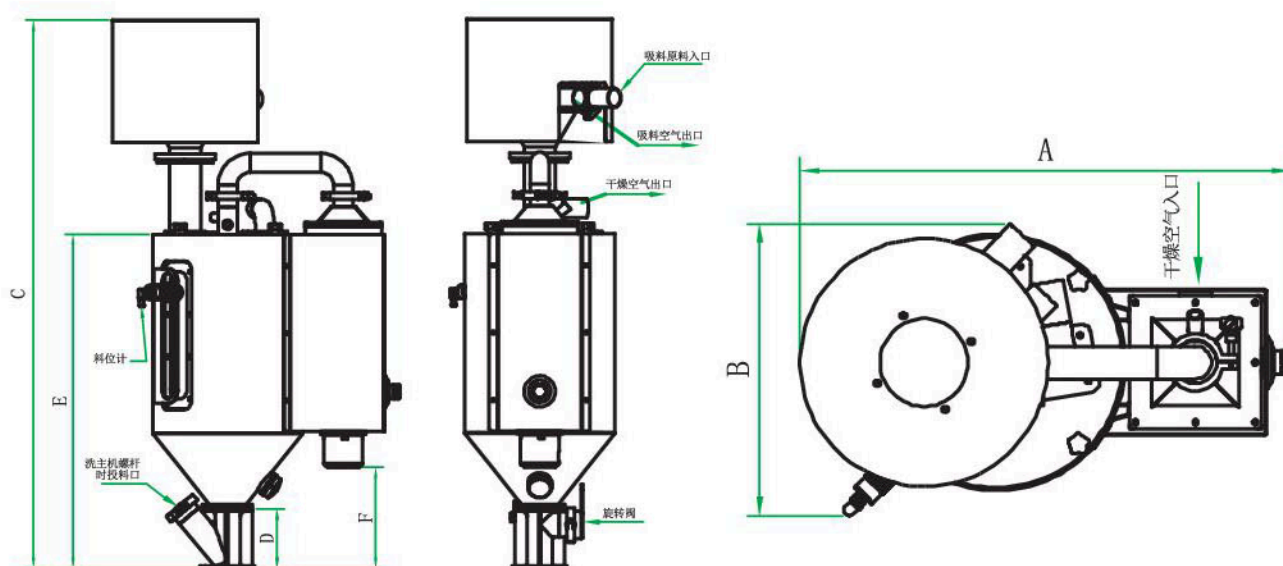
导光条PMMA  
(TDN-20)合格  
LGP PMMA(TDN-20) qualified



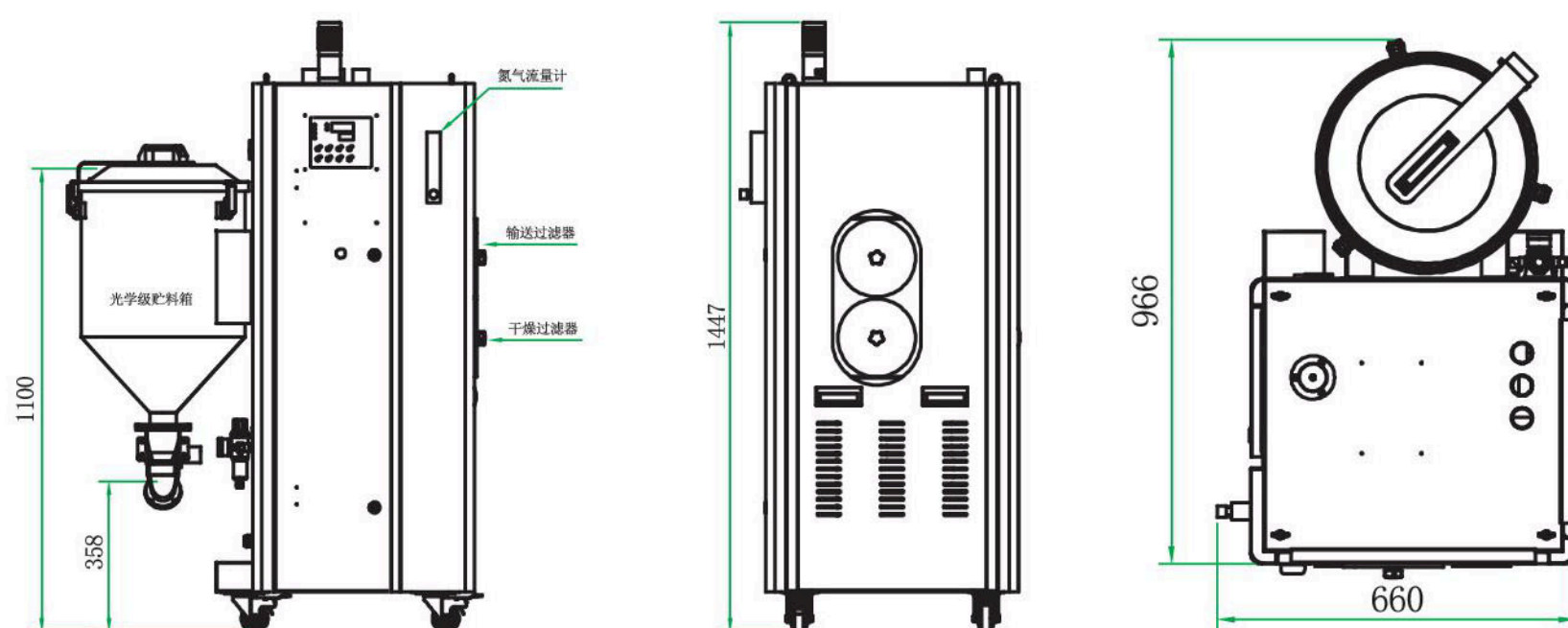
## ● 产品结构图 Product Structure Diagram

### 1、干燥桶体 Dryer Hopper

机型Model	TDN-10	TDN-20
A(mm)	1332	1332
B(mm)	933	956
C(mm)	1586	1944
D(mm)	195.5	195.5
E(mm)	420	420
F(mm)	368	368



### 2、三机一体主机 3 in 1 Compact Dehumidifying Dryers



## ● 规格表 Specification Sheet

产品型号Model		TDN-10	TDN-20
装料量(0.6kg/hr) Capacity(0.6kg/hr)	KG	10	20
干燥风量 Dry air capacity	m <sup>3</sup> /hr	20	30
氮气浓度 Concentration	%	98	
干燥温度 Dry temperature	℃	70~160	
干燥风机 Dry blower	KW	0.18	0.18
干燥加热管 Dry heater	KW	1.8	1.8
投料箱体积 Storage volume	Lr	40	
输送风机 Feed blower	KW	1.1	1.1
输送条件 Feed condition		料箱至干燥桶: Φ38PVC软管, 水平2米以内 Storage to hopper: Φ38PVC hosepipe, 2 m horizontal	
压缩空气条件 Compress air condition		大于0.6mpa*20Lr/min More than 0.6mpa*20Lr/min	
电源380V/50Hz Power380V/50Hz	KW	2	3.5