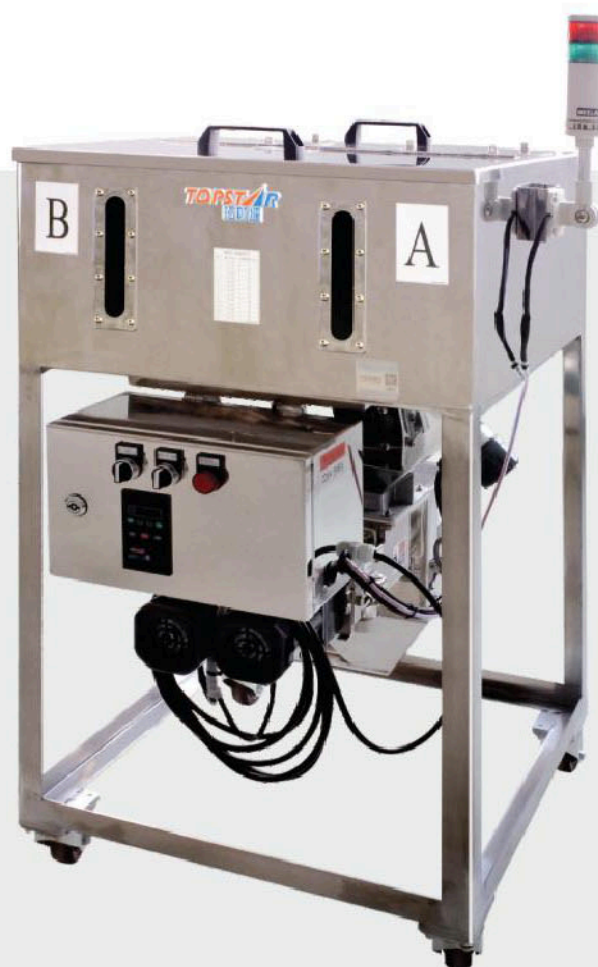


混合比例料箱TMT
TMT Mix Tank

TMT



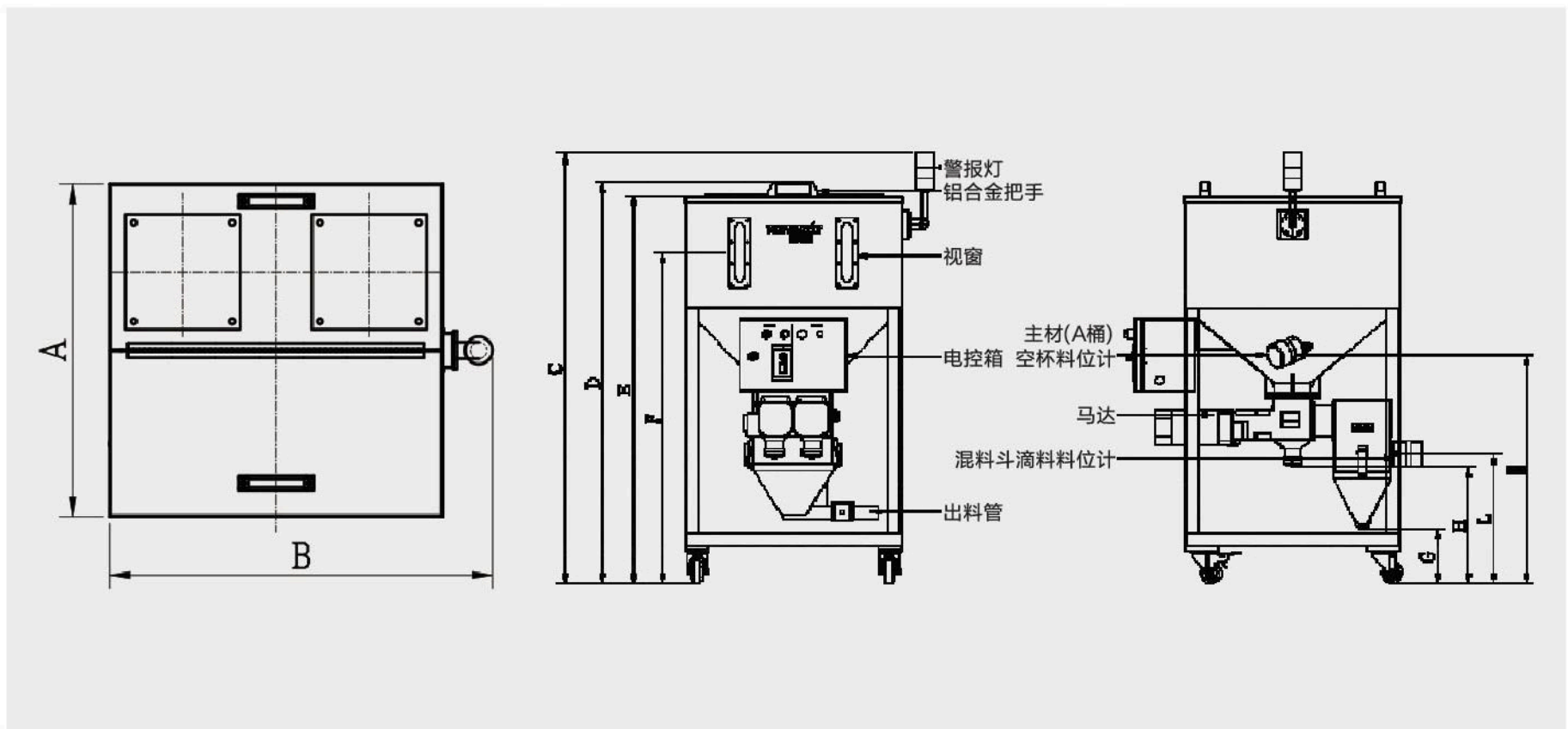
● 特点 Features

- 多种物料同步失重体积计量。
- 特制混合料管，无需搅拌装置。
- 计量测试简洁，10min内可完成。
- 步进电机精确控制精度，配比精度 $\pm 1\%$ 以内。
- 换料清扫方便，无专用工具10min可清扫完成。
- 触摸屏操作，多种配方存储。
- 配上吸料机及料杯可实现自动投料。
- 使用数据化报警履历记录。
- 配上吸料机、料杯、架台可以实现放置在地面。

- A variety of materials volumetric dose simultaneously.
- Special material tube, don't need mixing device.
- Dose test simply, less than 10min to complete test.
- Step-motor precisely control speed, the commercial mix precision $\pm 1\%$.
- Easily clean, less than 10min to clean without special tools.
- Operate with Touch screen, can save a variety of recipe.
- Automatic feeding can be realized with auto-loader and suction hopper.
- Using digital alarm history records.
- It can be placed on the floor with auto-loader, suction hopper and frame.

● 产品结构图 Product Structure Diagram

产品型号MODEL	TMT-50×50	TMT-100×100	TMT-120×30	TMT-150×150	TMT-250×250
A(mm)	695	952	948	1100	1292
B(mm)	607	862	857	1008	1202
C(mm)	1200	1434	1172	1408	1560
D(mm)	1080	1324	1132	1368	1491



● 规格表 Specification Sheet

产品型号 MODEL		TMT-50×50	TMT-100×100	TMT-120×30	TMT-150×150	TMT-250×250
新料贮存容量(kg)Capacity of material(kg)		50	100	120	150	250
粉碎料贮存容量(kg)capacity of regrind(kg)		50	100	30	150	250
新料计量能力(连续运转时)Delivery capacity of material(continuous)		290				
粉碎料计量能力(连续运转时)Delivery capacity of regrind(continuous)		14.5~203				
配比精度 commercial mix precision		±2%				
电源 power	主回路电压 main current power	AC200V/220V 50Hz 1P 2W+E(标准电压)(standard voltage)				
	控制回路电压 control current voltage	AC200V/220V 50Hz 1P 2W+E				
	总电气容量 (kW)Total electric capacity	0.15				
电源线 powerline		5				
重量 weight(kg)		50	60	60	70	100
外形尺寸(mm)(长×宽×高) dimensions(mm)(L×W×H)		695×607×1200	952×862×1434	948×857×1172	1100×1008×1408	1292×1202×1560

注：产品规格若有变更，恕不另行通知 We reserve right to change specifications without prior notice